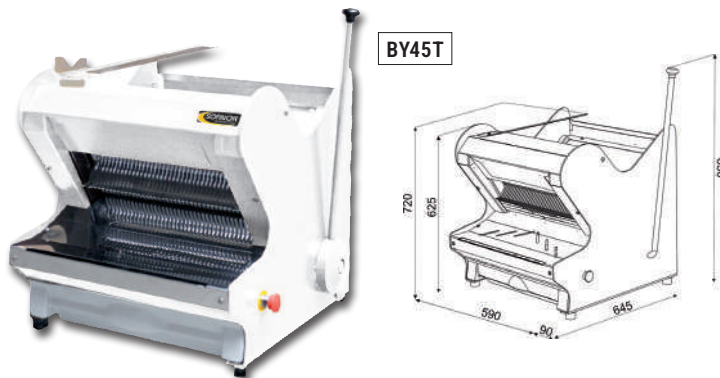


Semi-auto table bread slicer

- Colour : white RAL N 9010, other colours on request with extra cost
- Bread loading : from the top
- Cutting width: 440 mm
- Slice thickness: 11 mm standard (Other thicknesses possible : 9 to 18 mm - Please notify at the order - delivery time Ex-Works SOFINOR SAS : 8 weeks)
- Maximum height of the bread: 18 cm - Bread bowl: Ø 30 cm
- Complying with the machine European Directive 2006/42/CE
- Semi-automatic system with starting when actionning the lever
- Safety device: emergency stop located on the side
- Electric supply: 3-phase 380 V or single phase 230 V (to be confirmed at the order)
- In case of positioning on a furniture, provide reinforcements on it

Semi-auto (with lever)



Designation	Power	Kg	Ref.
Three-phase 380 V - 3P	490 W	105	BY45T
Single phase 220 V	490 W	105	BY45T2

OPTIONS
page 186

Table on castors with lower shelf (optional)



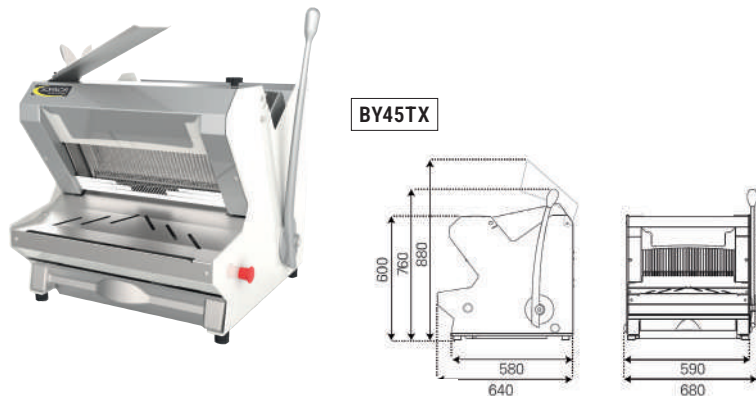
- In stainless steel frame 30 x 30 mm
- On castors
- With bottom shelf

Designation	L x W x H mm	Kg	Ref.
Table on castors with lower shelf	583 x 579 x 633	11	BYPCTR



Table bread slicers

- Colour : white (RAL 9010), red (RAL 3013), black (RAL 9005) or grey (RAL 9006)
- Bread loading: from the top
- Cutting width: 440 mm
- Slice thickness: 11 mm standard (Other thicknesses possible : 9 to 18 mm – Please notify at the order – delivery time Ex-Works SOFINOR SAS : 8 weeks)
- Maximum height of the bread: 18 cm - Bread bowl: Ø 30 cm
- The automatic table model is delivered with a safety plexiglass rear cover starting and stopping the machine.
- A digital display warns the user of the best moment to change the blades (on automatic model only).
- Complying with the machine European Directive 2006/42/CE
- Semi-automatic system with starting when actionning the lever
- Safety device: emergency button on the side
- Electric supply: 3-phase 380 V or single phase 230 V (to be confirmed at the order)
- In case of positioning on a furniture, provide reinforcements on it



BY45TX



BY45TAX + BYPCTR

Semi-auto (with lever)

Designation	Power	Kg	Ref.
Three-phase 380 V - 3P	490 W	105	BY45TX
Single phase 230 V	490 W	105	BY45TX2

OPTION	Ref.
Top plexi safety cover	4576BY1899T

Automatic (without lever)

Designation	Power	Kg	Ref.
Three-phase 380 V - 3P	490 W	105	BY45TAX
Single phase 230 V	490 W	105	BY45TAX2

OPTION	Kg	Ref.
Support on castors with lower shelf in stainless steel frame 30 x 30 mm	11	BYPCTR

OPTIONS
page 186

Table breadslicer for baguette or buns



The table breadslicer for baguettes with 3 adjustments allow to slice a lot of different breads.



- Height and Depth of cut are adjustable and allow to adjust the blade according to the width of the baguette (stick of French bread).

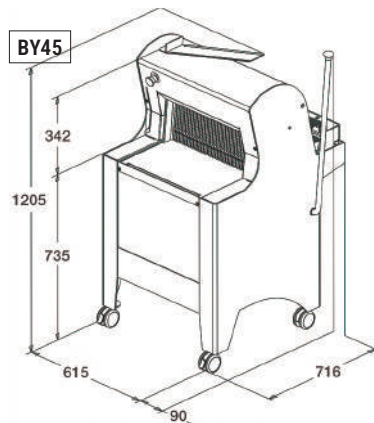
Designation	Power	Kg	Ref.
Single phase 230 V	370 W	35	BYB

Range *Byzance*

- Colour : white RAL N 9010, other colours on demand with extra cost
- Bread loading: from the back
- Cutting width: 440 mm
- Slice thickness: 11 mm standard (Other thicknesses possible : 9 to 18 mm – Please notify at the order – delivery time Ex-Works SOFINOR SAS: 8 weeks)
- Maximum height of bread : 16 cm - Maximum size of round bread : Ø33 cm
- Complying with the machine European Directive 2006/42/CE
- Semi-automatic system with starting when actionning the lever
- Safety device: emergency stop located on top front
- Electric supply: 3-phase 380 V or single phase 230 V (to be confirmed at the order)
- Blade tension by screw

+

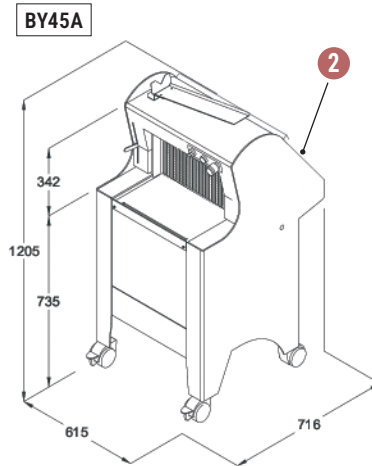
- Removable hood: easy to change blades and perform maintenance
- Hidden frame = safer use



Semi-auto (with lever)

Designation	Power	Kg	Ref.
Three-phase 380 V - 3P	550 W	131	BY45*
Single phase 230 V	550 W	131	BY45(2)

* BY4511 (= BY45 in 11 mm)



Automatic (without lever)

- Started by pressing a button
- Complying with the NF EN 13954 norm for bread slicer thanks to the new safety back hood

- 1** 2 possible speeds
- 2** Safety hood

Designation	Power	Kg	Ref.
Three-phase 380 V - 3P	550 W	131	BY45A
Single phase 230 V	550 W	131	BY45A(2)

Options for bread slicers

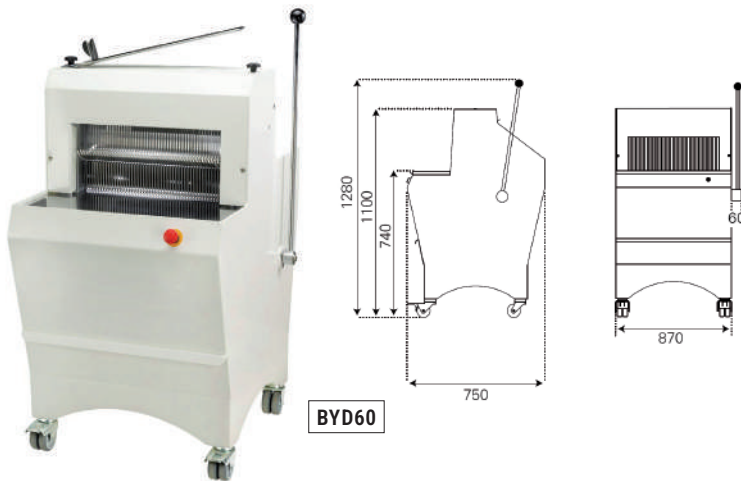


Choose the colour of your bread slicer: 200 possibilities to choose from the RAL colour chart

Designation	Ref.
Spare blade for BY	4576LAMCOU13
Special RAL colour (delivery time: 9 weeks)	

Duo breadslicers

- The DUO breadslicer is available in MANUAL or AUTOMATIC versions.
- Colour : white RAL N 9010, other colours on demand with extra cost
- Thickness of the slices from 11 to 16 mm
- On the Automatic model : manual opening and closing of the rear safety cover
- On the Manual model : the rear safety cover is driven by the handle
- Maximum size of the loaf : 600 x 31 x H 16 mm
- Can be supplied in a double slicing version, one half of the slicing used for thin slicing, and the other for thick slicing



Manual

Designation	Power	Kg	Ref.
Three-phase 380 V - 3P	490 W	175	BYD60
Single phase 230 V	490 W	175	BYD602



Automatic

Designation	Power	Kg	Ref.
Three-phase 380 V - 3P	490 W	175	BYD60A
Single phase 230 V	490 W	175	BYD60A2

Self service breadslicer

- The SELF SERVICE breadslicer is an automatic model.
- Colour : white RAL N 9010, other colours on demand with extra cost
- Thickness of the slices from 9 to 16 mm
- Maximum size of the loaf : 44 x 32 x H 16 cm
- Delivered with front safety plexiglass cover



Designation	Power	Kg	Ref.
Three-phase 380 V - 3P	490 W		BYS
Single phase 230 V	490 W		BYS2